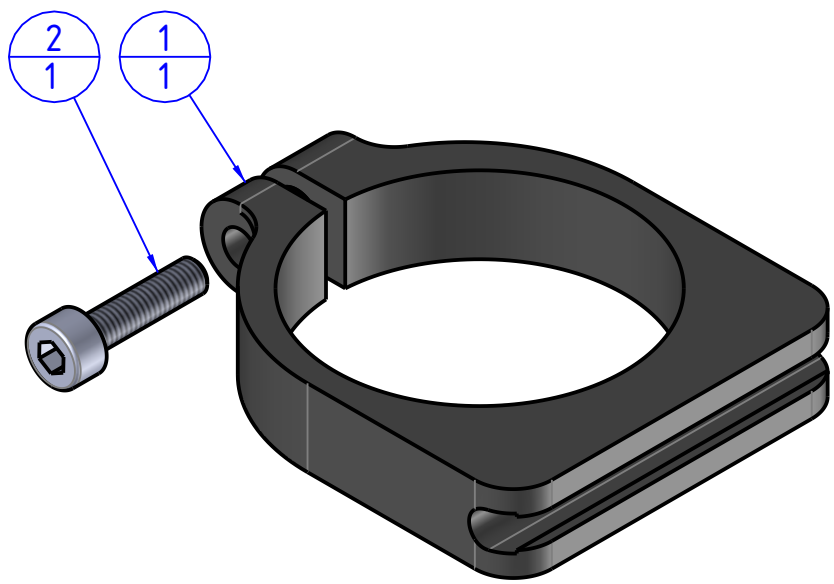
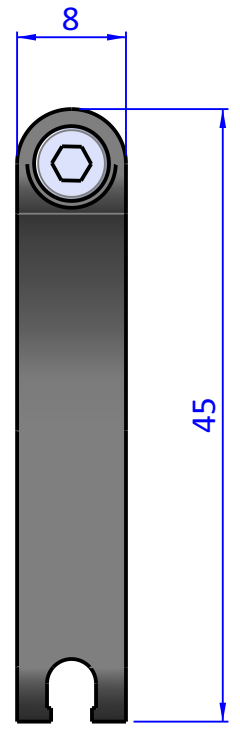
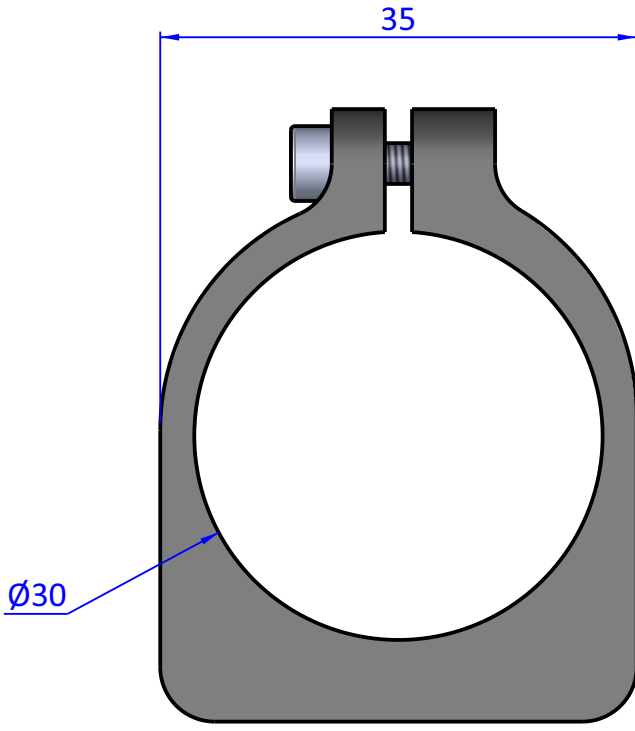

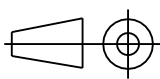


Item	Name	Q.ty
1	SMT.30	1
2	V.TCE3x12	1



THE PROPERTY OF THE DRAWING IS ESTABLISHED BY LAW. IT IS FORBIDDEN TO PRODUCE OR SHOW IT TO THIRD PART. WITHOUT A WRITTEN AGREEMENT.

Format A4 UNI 936-76	 FPS FPSERVICES AUTOMATION			DESIGNED FROM	REVIEW
				FPS Automation	
	GENERAL TOLERANCE	DESCRIPTION	DATE	WEIGHT	
UNI - ISO 2768	CA.SMT.30	30/03/2023	0,004kg		
CLASSE f		CODE	CA.SMT.30		